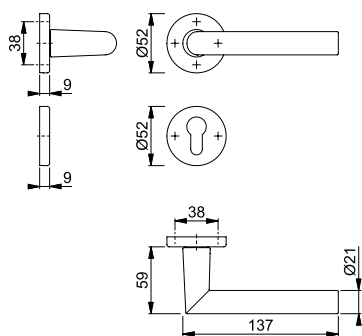


Examples



File name:
1400-42K+KV-42KS+KVS-PZ-F1



File name:
1400-42K-42KS-PZ

Conditions for the use of HOPPE pictures/technical drawings

HOPPE Holding AG, CH-7537 Müstair, hereinafter referred to as HOPPE, in the interests of cooperation with its partners in the promotion of goods supplied by HOPPE, makes available the enclosed pictures and technical drawings without charge. Both illustrated products and pictures/technical drawings are protected by copyright to which HOPPE has unrestricted entitlement.

This is equally valid for HOPPE's brand rights used in connection with the pictures and technical drawings. HOPPE allows the use of its pictures/technical drawings in print media, e.g. in catalogues and similar sales documentation, for users' distribution to customers. HOPPE is, however, to be informed in advance of the use of such pictures/technical drawings in advertisements and on the internet.

The user is to inform the printers/service providers involved that the pictures/technical drawings are protected by copyright. The user shall not be entitled to alter the pictures/technical drawings as made available by HOPPE in any way whatsoever, e.g. in using pertinent picture-editing programmes, though he may take measures to alter the size of the image for printing purposes.

The user is to undertake all the necessary precautions to protect the pictures/technical drawings made available by HOPPE from misuse by a third party and is to inform HOPPE without delay in the event of any such misuse being discovered.

Two copies of the printed matter showing use of the said pictures/technical drawings are to be sent to HOPPE. In using such pictures/technical drawings, the user automatically consents to the conditions of use. Swiss law shall apply. Place of jurisdiction to be CH-7000 Chur/GR, Switzerland.

Müstair, January 2006

File formats

You can get picture and drawing data from HOPPE in the following standard formats:

Type of format	Pictures		Catalogue drawing		
	Pixel *	Pixel *	Pixel *	Vektor **	
File format	jpg	tif	tif	eps	dwg
Compression	9/standard	LZW	LZW	none	none
Mode	RGB	CMYK	Bitmap	-	-
Resolution	300 dpi	300 dpi	750 dpi	independent	independent

Other file formats available on request.

* Pixel files can only be enlarged to 20-25% of the original size.

** Vektor files can be enlarged as required without loss of quality.

(as per 06/2014)